

BUTLER

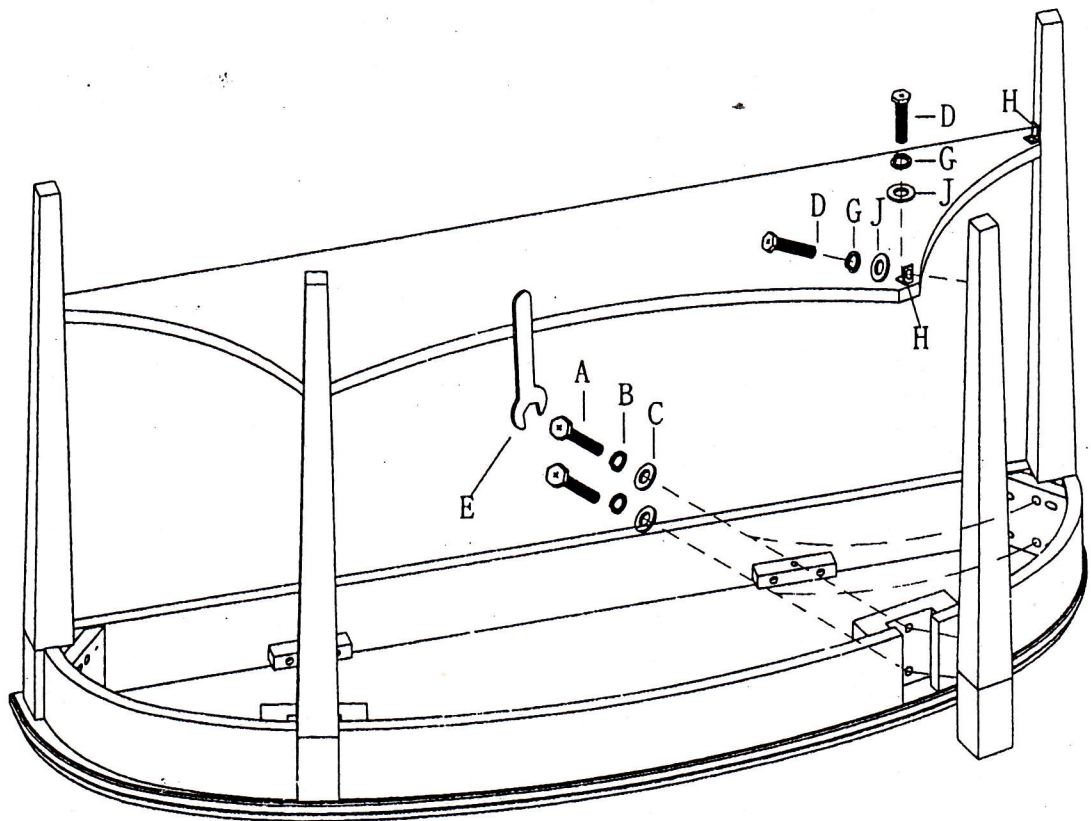
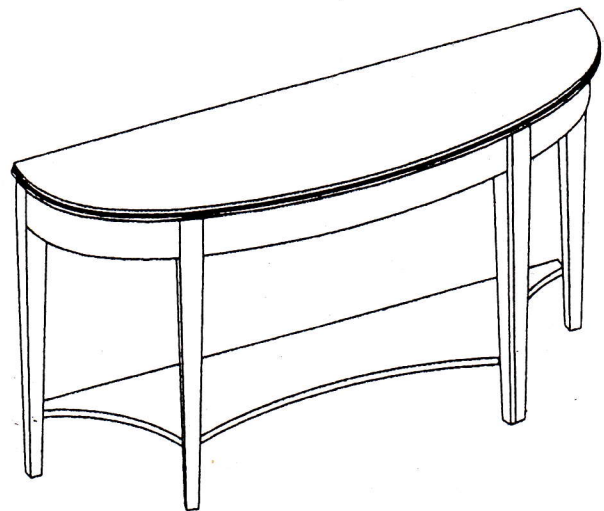
Assembly Instructions
Style Number 4146/01

SPECIALTY COMPANY

8200 SOUTH CHICAGO AVE., CHICAGO, IL 60617

PACKAGED

- | | | |
|-----|----------------|-------------------|
| (A) | 8-Bolt | Ø5/16" * 1-3/4" |
| (B) | 8-Lock Washer | Ø5/16" |
| (C) | 8-Flat Washer | Ø5/16" * Dia 19mm |
| (D) | 8-Bolt | Ø1/4" * 1/2" |
| (E) | 1-Allen Wrench | Ø 5/16" |
| (H) | 4-Angle Iron | |
| (G) | 8-Lock Washer | Ø1/4" |
| (J) | 8-Flat Washer | Ø1/4" * Dia 16mm |



(* Caution: DO NOT OVERTIGHTEN.

In any correspondence regarding this product, please include the complete Butler identification number located on the underside of the product.

We hope this demilune console table will be a useful and decorative addition to your home for years to come.

Copyright © Butler Specialty Company, 06/11